



**Open Source Classroom LLC**  
3D Literacy + Creativity = Innovation

Presents:

# 1-Day Intro to Arduino and 3D Literacy® Workshop

Don't just learn how to use technology, learn how to *create* it!

This 1-day workshop provides teachers with an opportunity to learn how to use the most advanced open source programming platforms available while greatly expanding their understanding of electronics, 3D technology, and ultimately 3D Literacy®.

## What teachers take away from this workshop:

- Deeper understanding of Arduinos are and how they are being used in technology education
- Increased creativity when integrating Arduinos and 3D printing into existing curricula
- High quality 3D Literacy® Maker Station designed specifically for 3D Literacy® project-based learning
- 3DX Arduino Level 1 electronics class kit
- 3D Literacy®/3DX Curriculum Guide with example lesson plans and free educational resources
- USB with supporting programs and Arduino activities

Click on the links for more information:

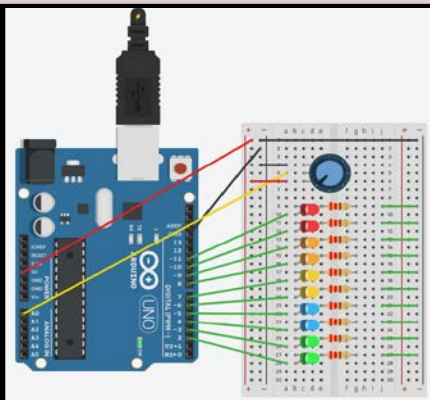
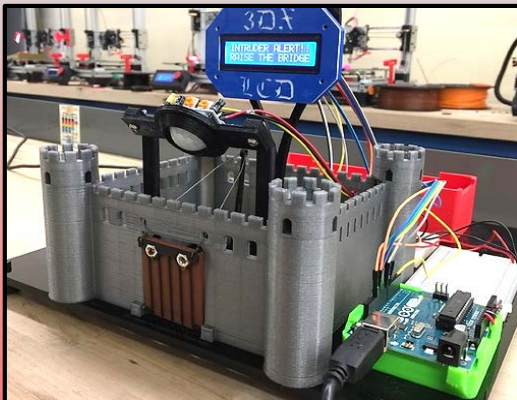
[What is 3D Literacy®?](#)

[3D Literacy® Maker Station](#)

Earn 8 CPDU's with the most advanced training on 3D Literacy® for K-12 educators

## 1-Day Workshop Costs:

Participants	\$225
3D Literacy® Maker Station:	\$200
Arduino Level 1 Class Kit	



If you are interested in participating in a "Intro to Arduino" workshop, please contact your administration.

For detailed information about any of our 3D Literacy® workshops, please contact Rob Martin via [www.osc3d.com](http://www.osc3d.com)